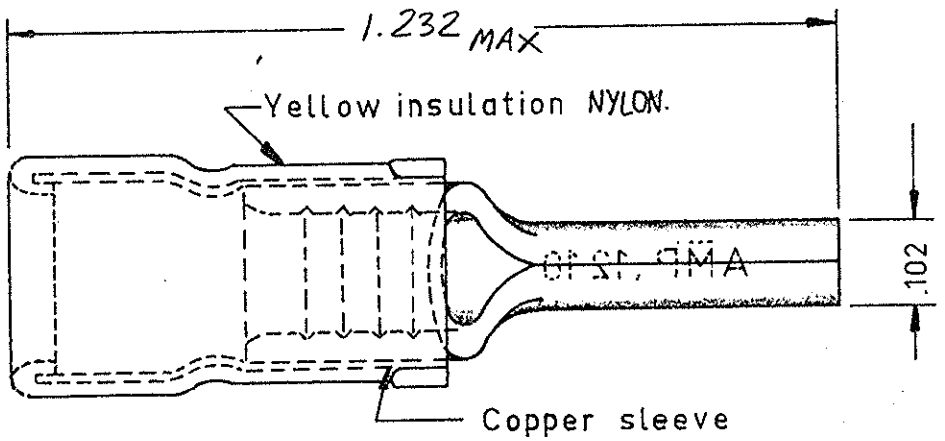
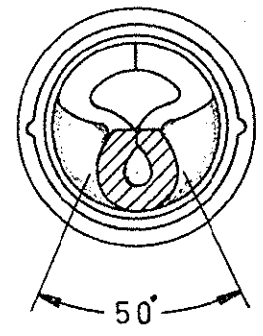
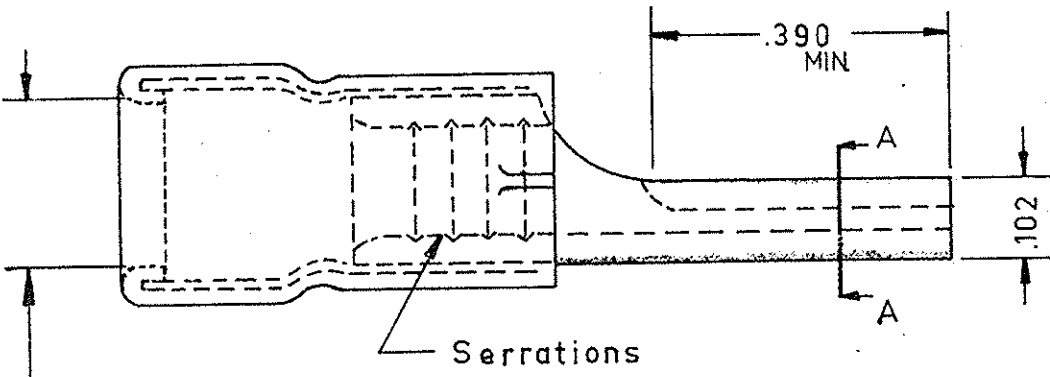


NUMBER
C-165133-EE

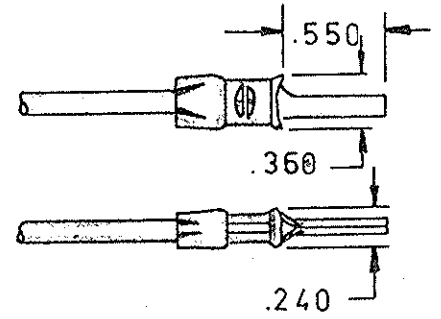
DIMENSIONS IN INCHES—DO NOT SCALE PRINT



ORDER No 165133



VIEW A-A



FOR 170-300
ISOL.DIA.

CUSTOMER PRINT
FOR REFERENCE ONLY

©1963 BY AMP Holland N.V. ALL RIGHTS RESERVED. AMP PRODUCTS COVERED BY PATENTS AND/OR PATENTS PENDING.

-9 -8 -7 -6 -5 -4 -3 -2 -1										DWG SIZE	NUMBER	NAME	REMARKS	ITEM NO.			
REQUIRED PER ASSEMBLY										MATERIAL	HEAT TREAT	FINISH					
										E-Copper	<i>W</i>	Tinpl. E-Cu					
										AMP	DR <i>mr3lank</i> 21-2-63	DATE APP	DATE REL	DATE			
										AMP-HOLLAND N.V.	CH <i>J. Honvalk</i> 22-11-63	DATE APP	DATE FIRST USED TOL				
										HERTOGENBOSCH HOLLAND	TYPE	PRINT	DIST	LOC	SIZE	NUMBER	REV
										P.I.D.G.					H A	C-165133-EE	C
										SCALE	WIRE SIZE	CMA	NAME				
										N.T.S.	12-10	MAX <i>W</i>	WIRE PIN P.I.D.G.				
										MIN <i>W</i>							
DESCRIPTION																	